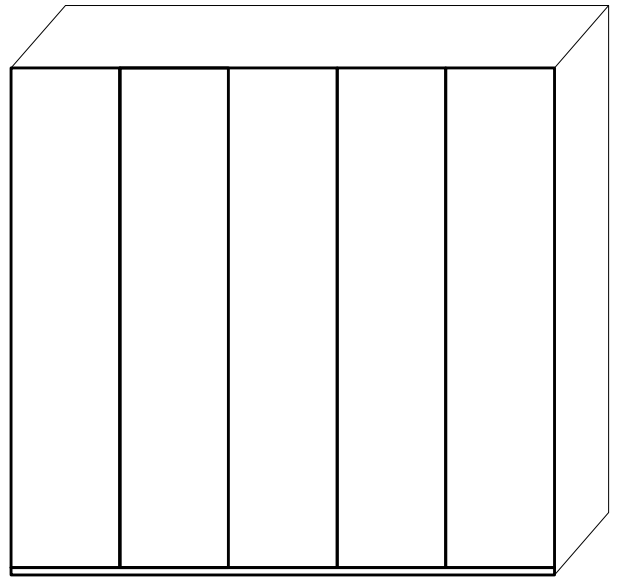
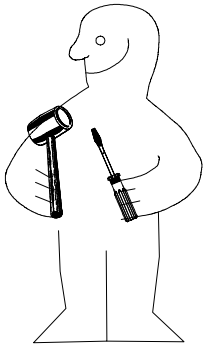
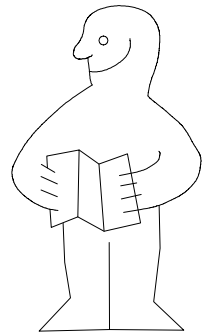
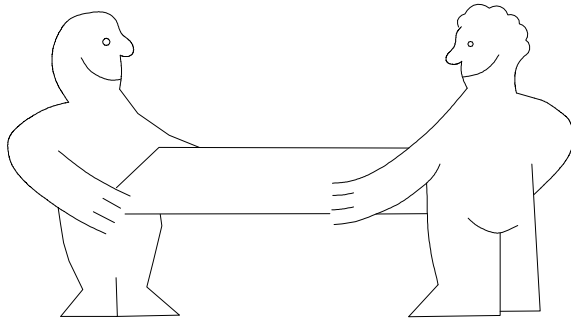
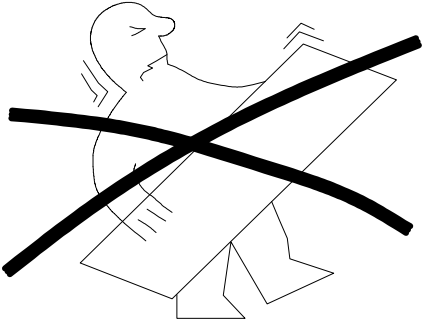


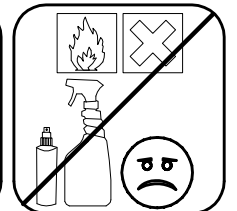
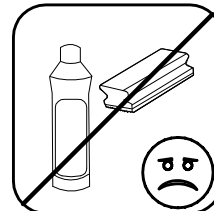
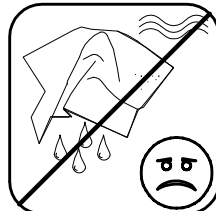
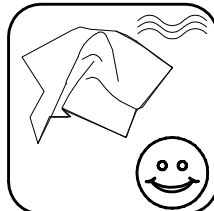
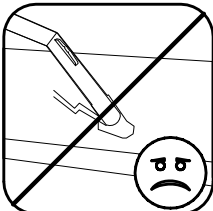
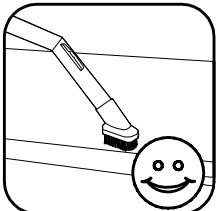
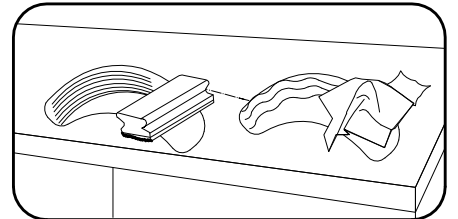
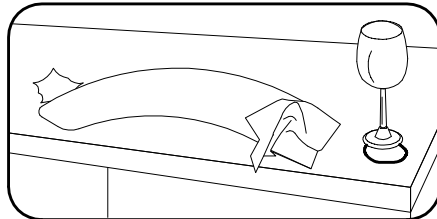
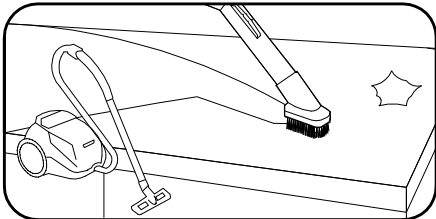
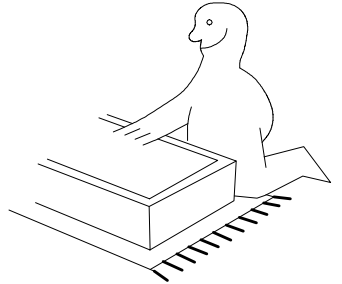
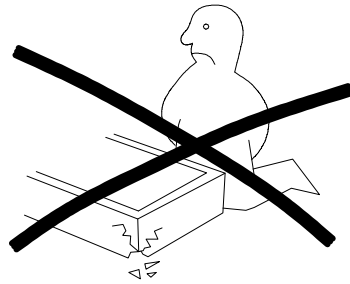
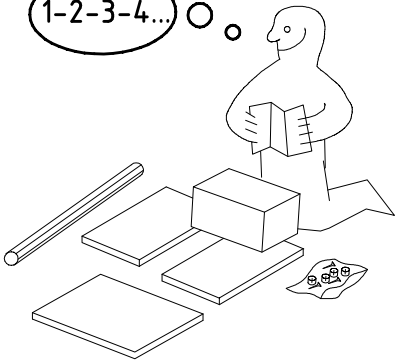
980345



NSP 225



1-2-3-4... ○


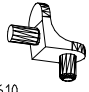
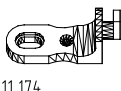


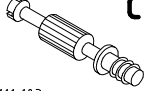
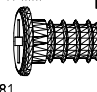
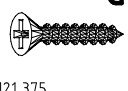
980345

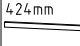
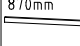
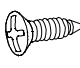
20.12.04 / 29.11.19


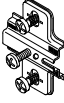
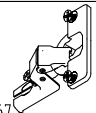
11 19

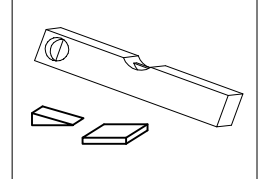
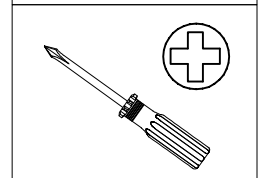
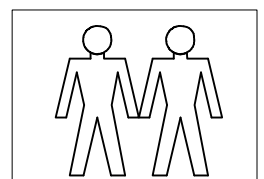
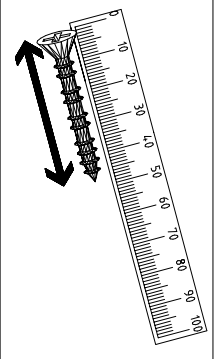
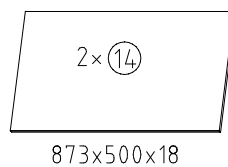
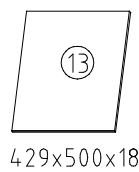
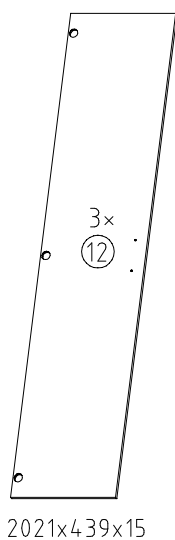
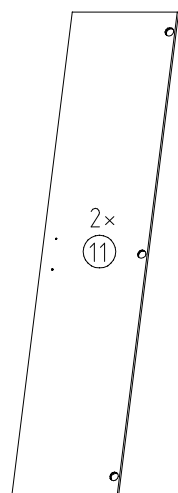
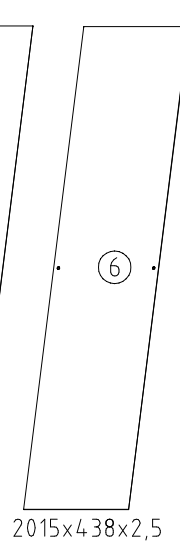
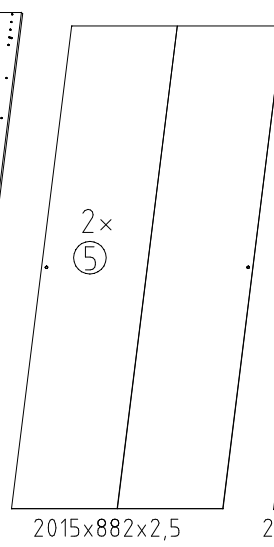
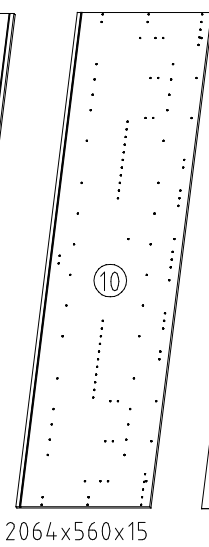
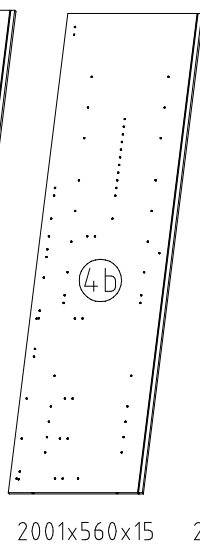
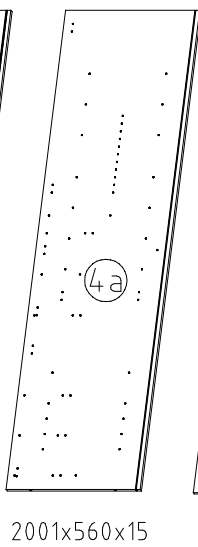
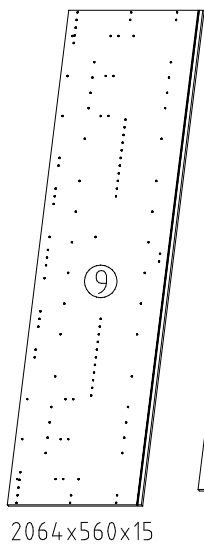
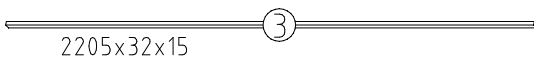
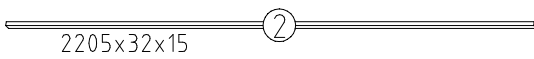
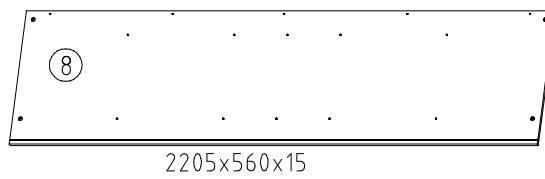
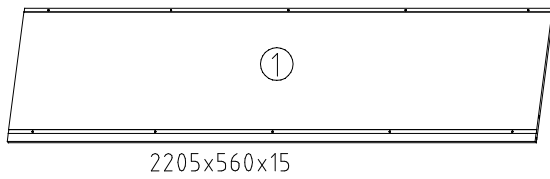
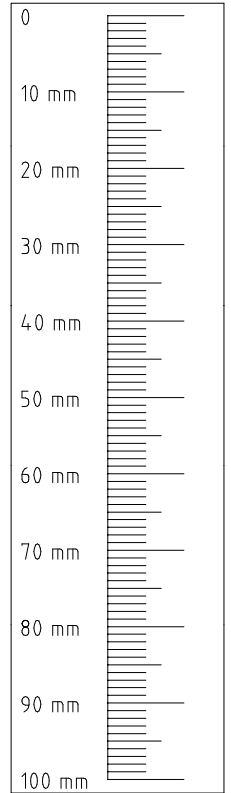
1/9

 111 102	A 16x
 111 610	L7 12x
 111 174	J1 6x

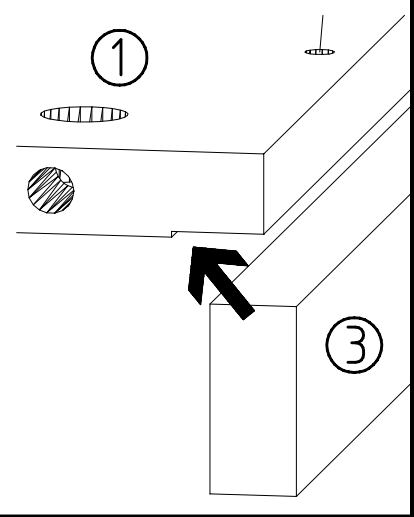
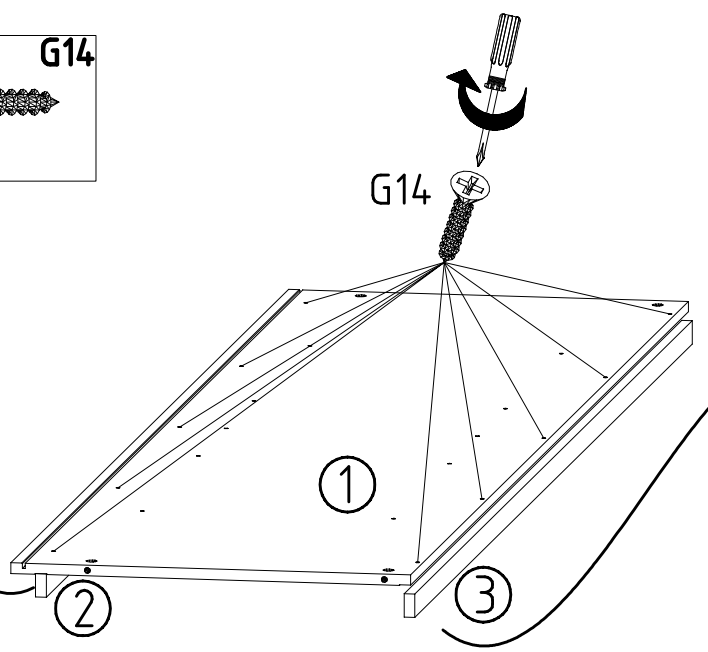
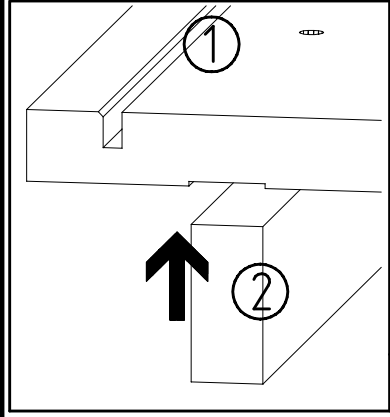
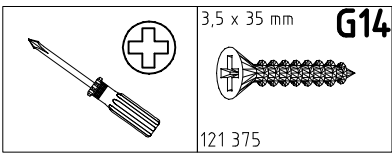
 111 103	C 16x
M6 x 11 mm  121 181	T6 6x
3,5 x 35 mm  121 375	G14 12x

424mm  112 403	K21 1x
870mm  112 402	K20 2x
3,5 x 15 mm  121 370	G1 12x

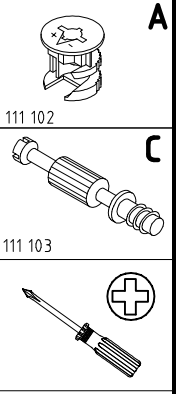
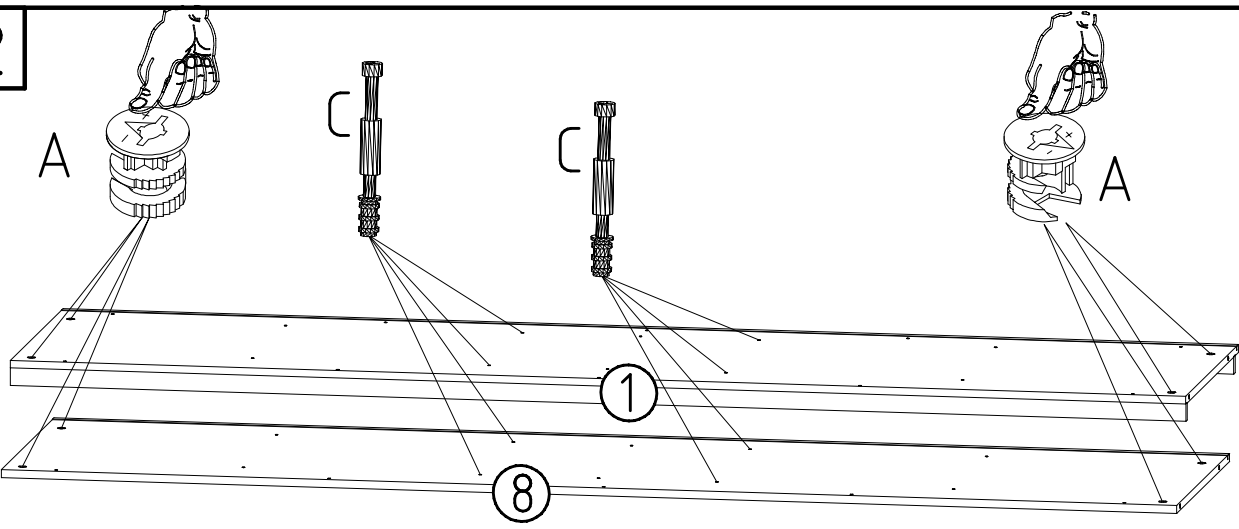
 117 001	K1 6x
 112 268	M 15x
 112 267	N 15x



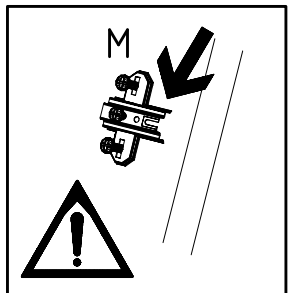
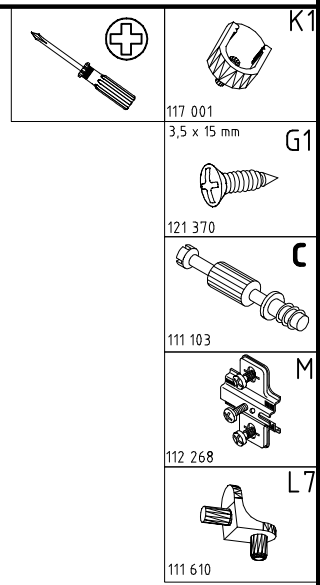
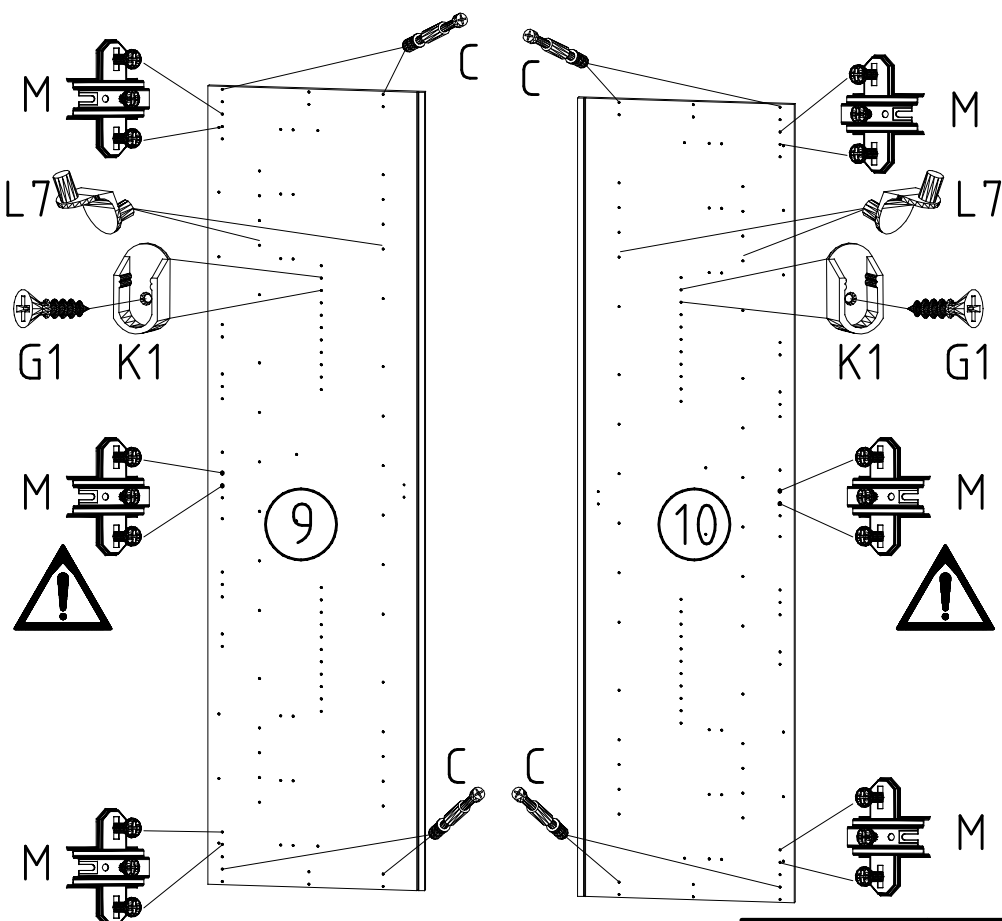
1



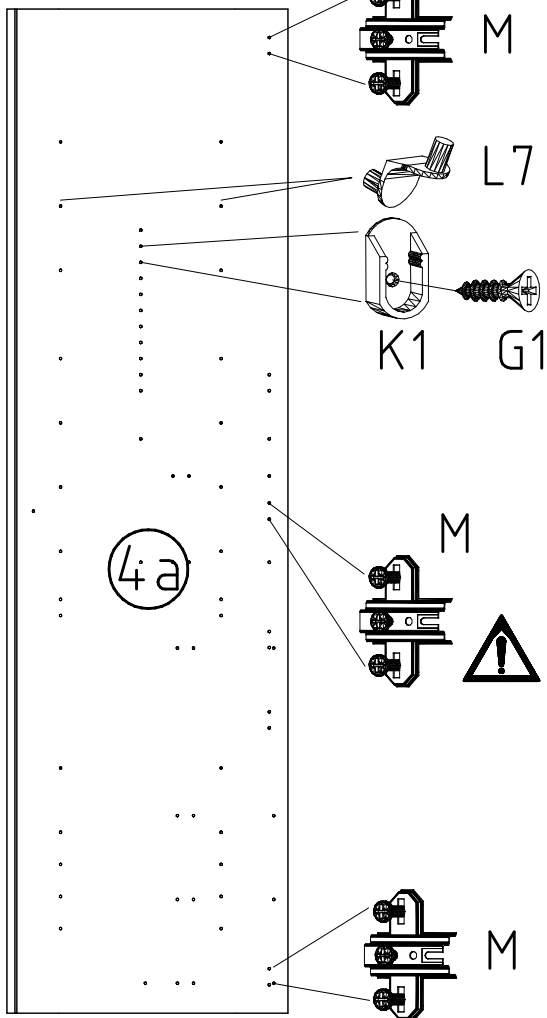
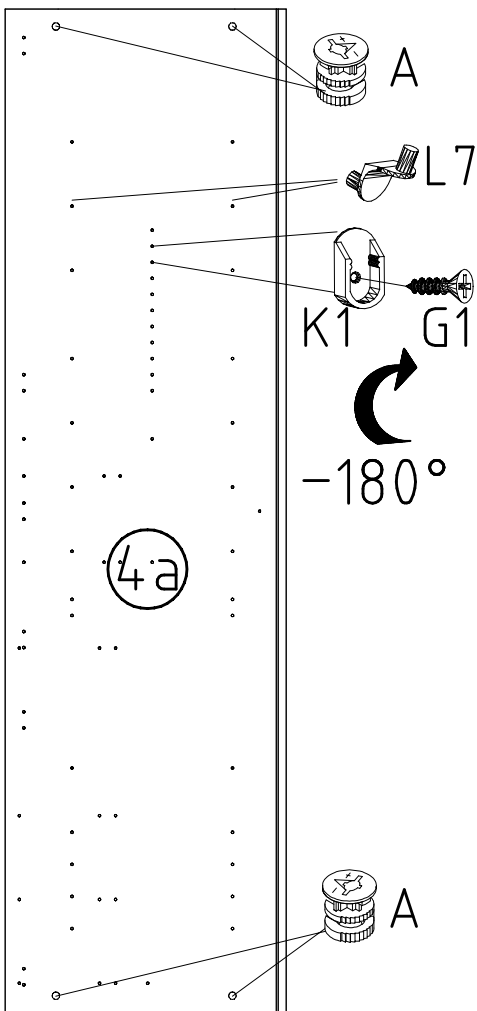
2



3

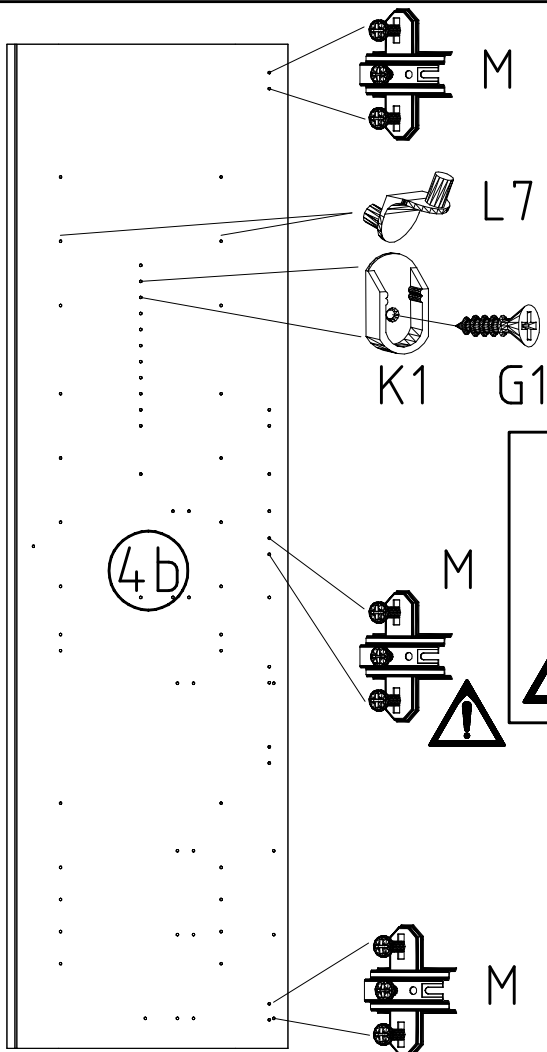
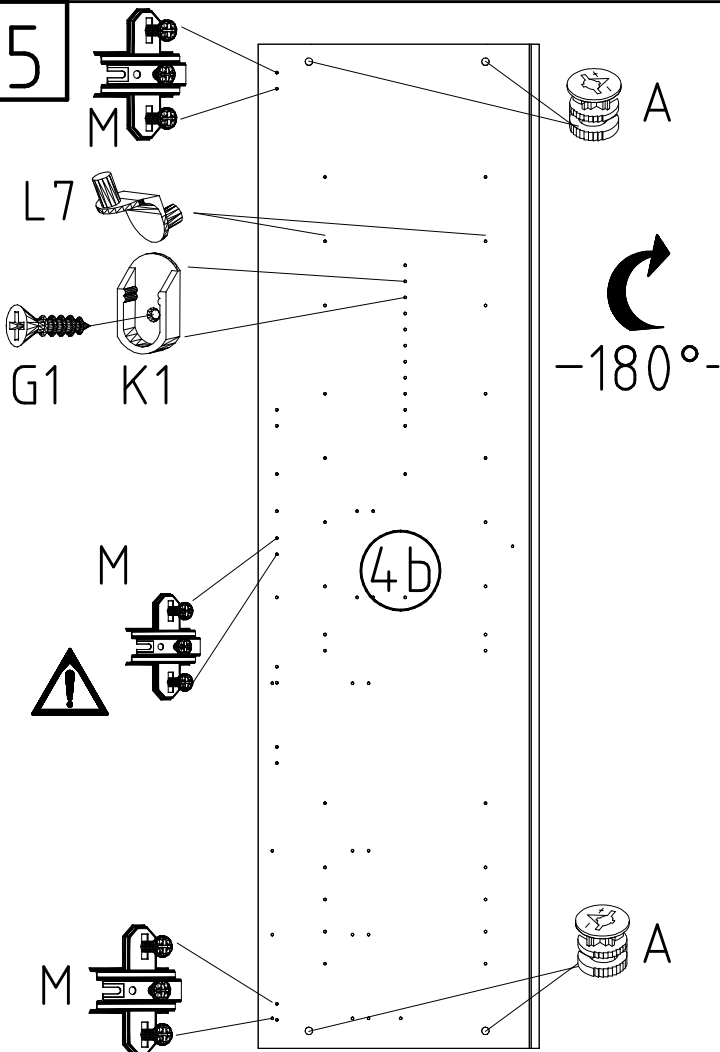


4

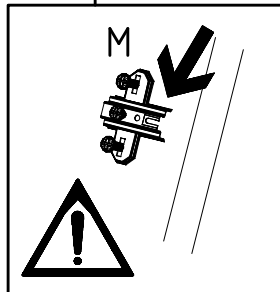


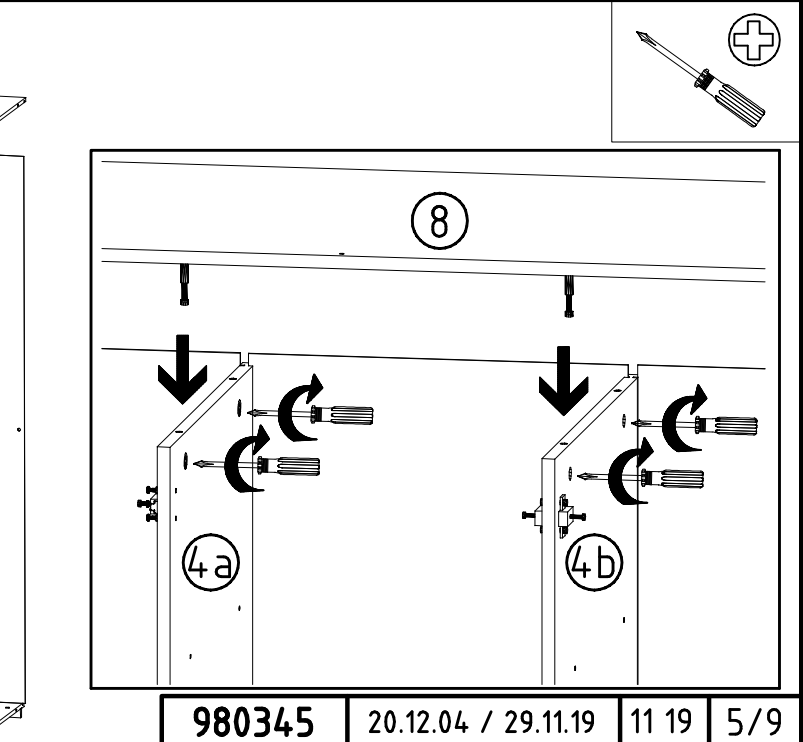
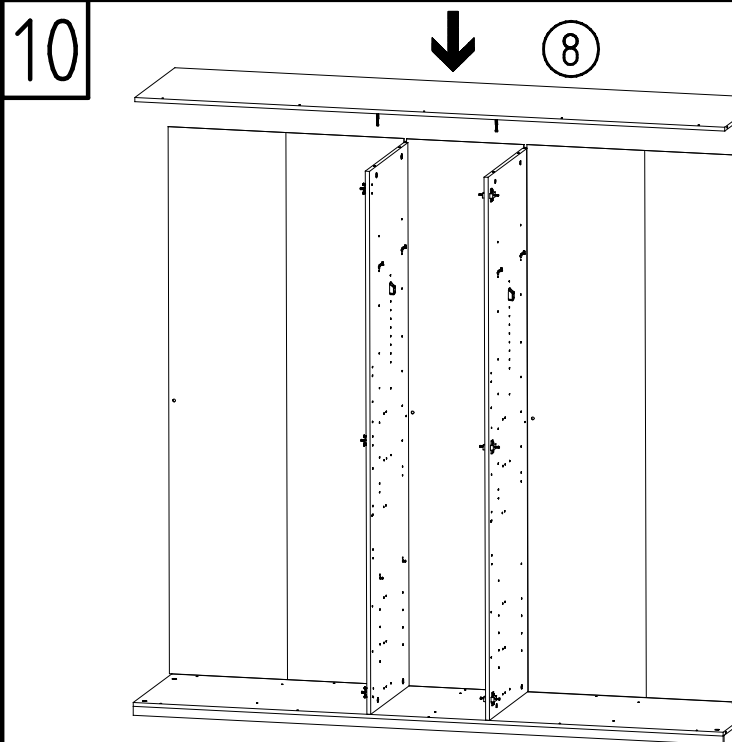
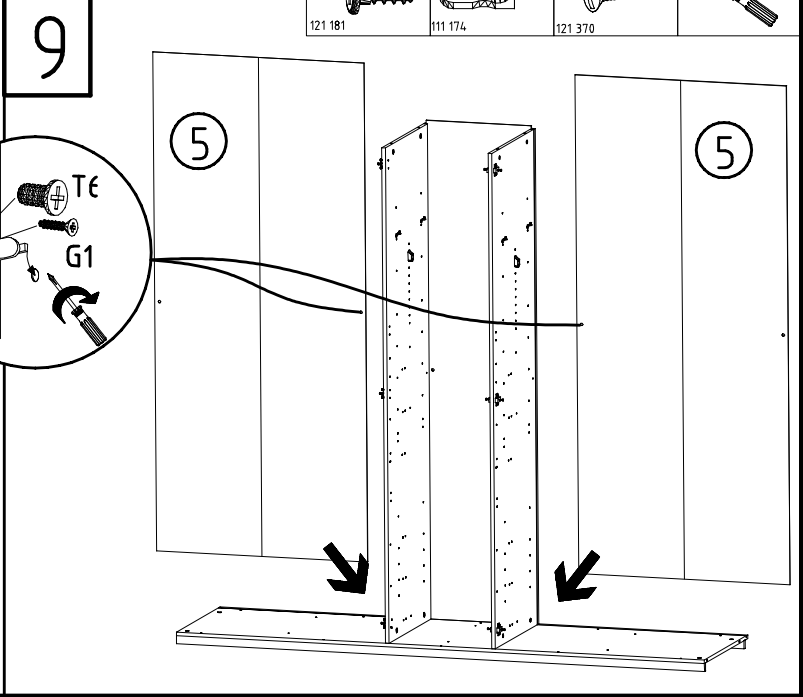
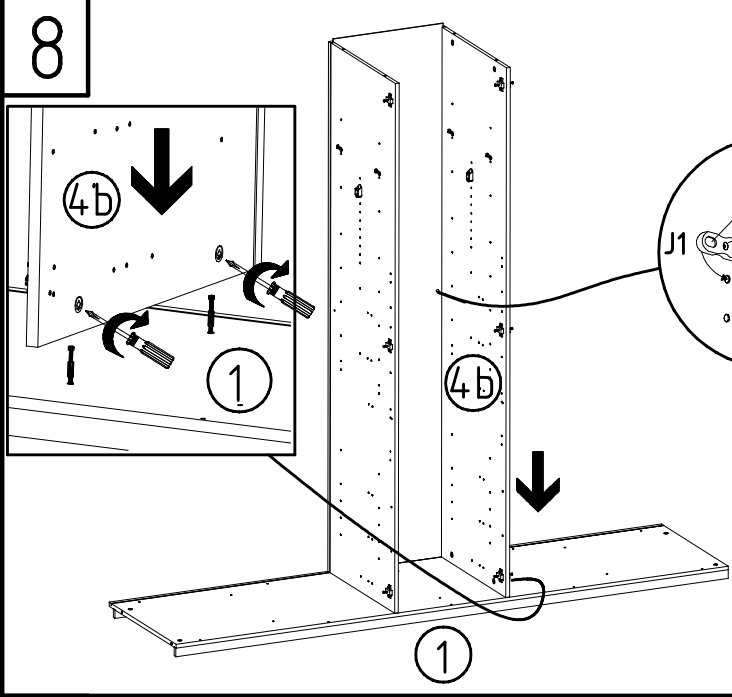
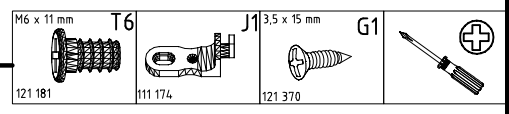
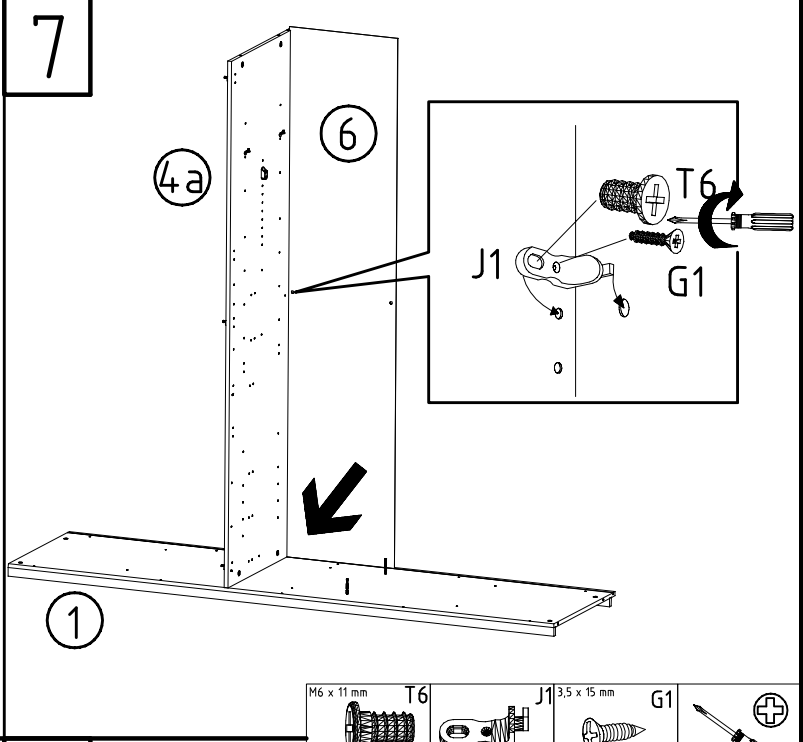
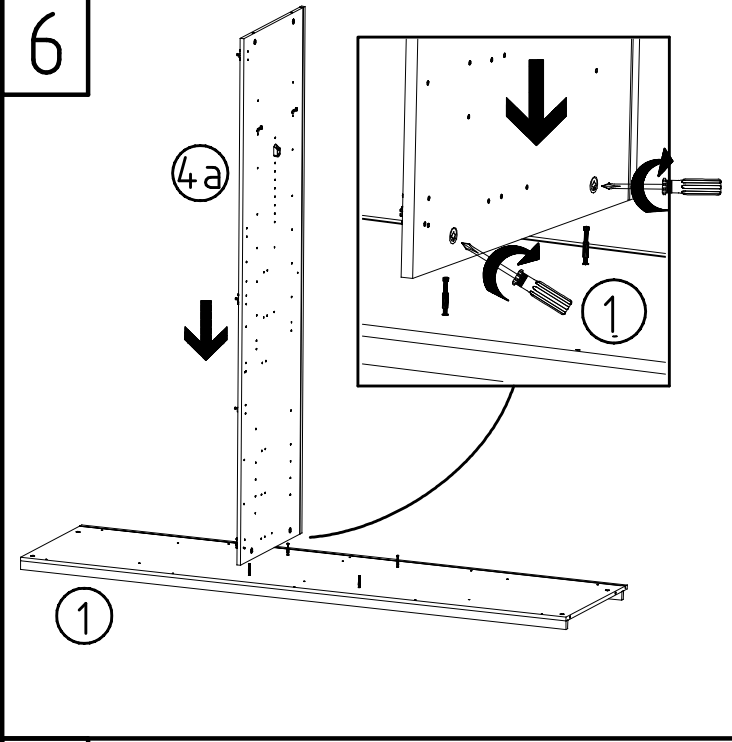
- L7
111 610
3,5 x 15 mm
- G1
121 370
- K1
117 001

5

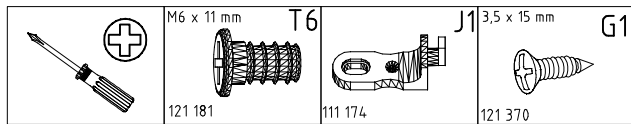
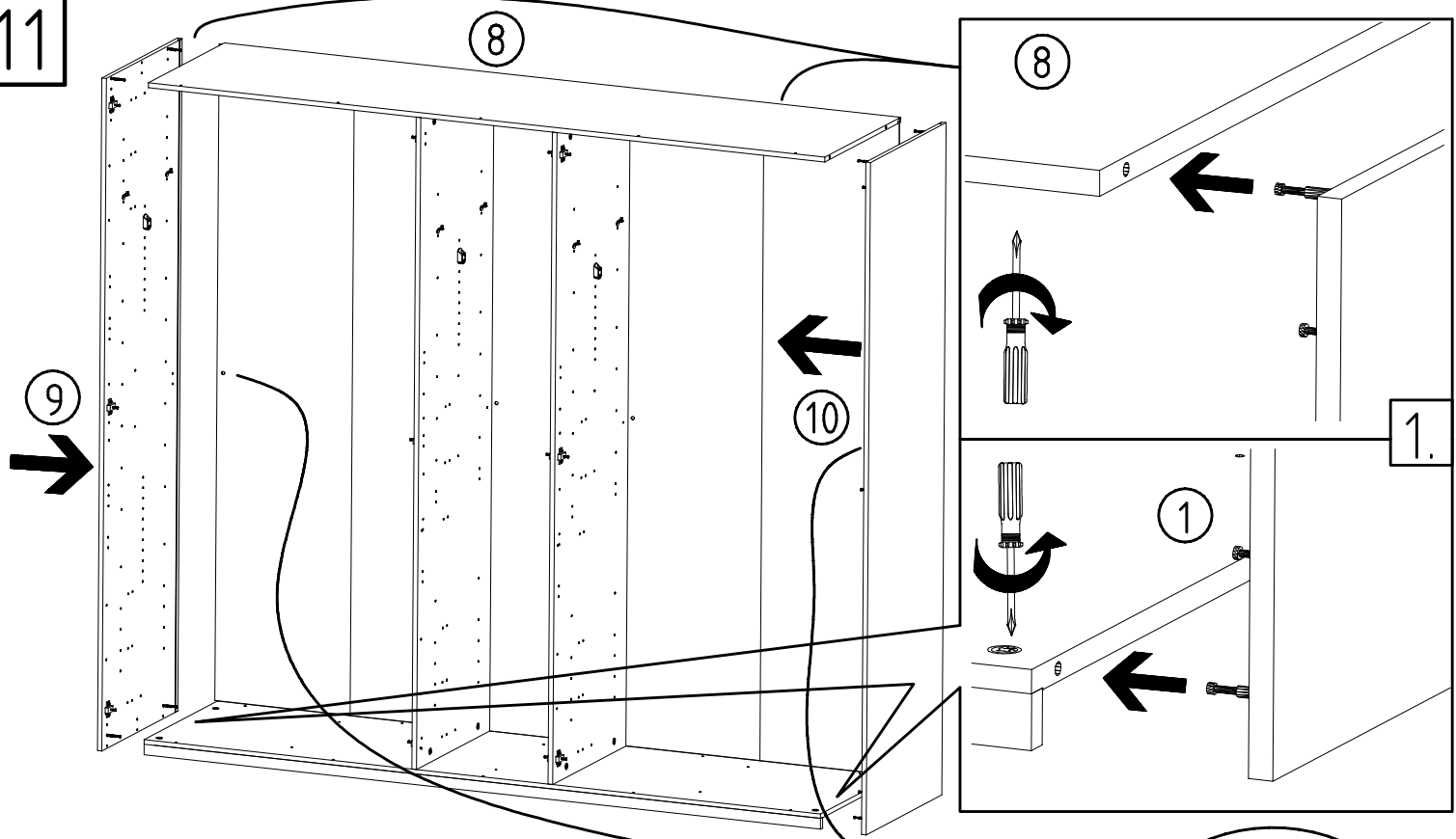


- M
112 268
- A
111 102

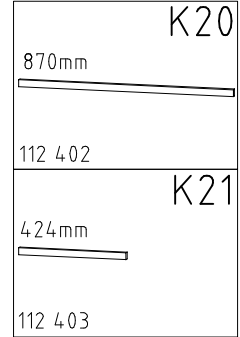
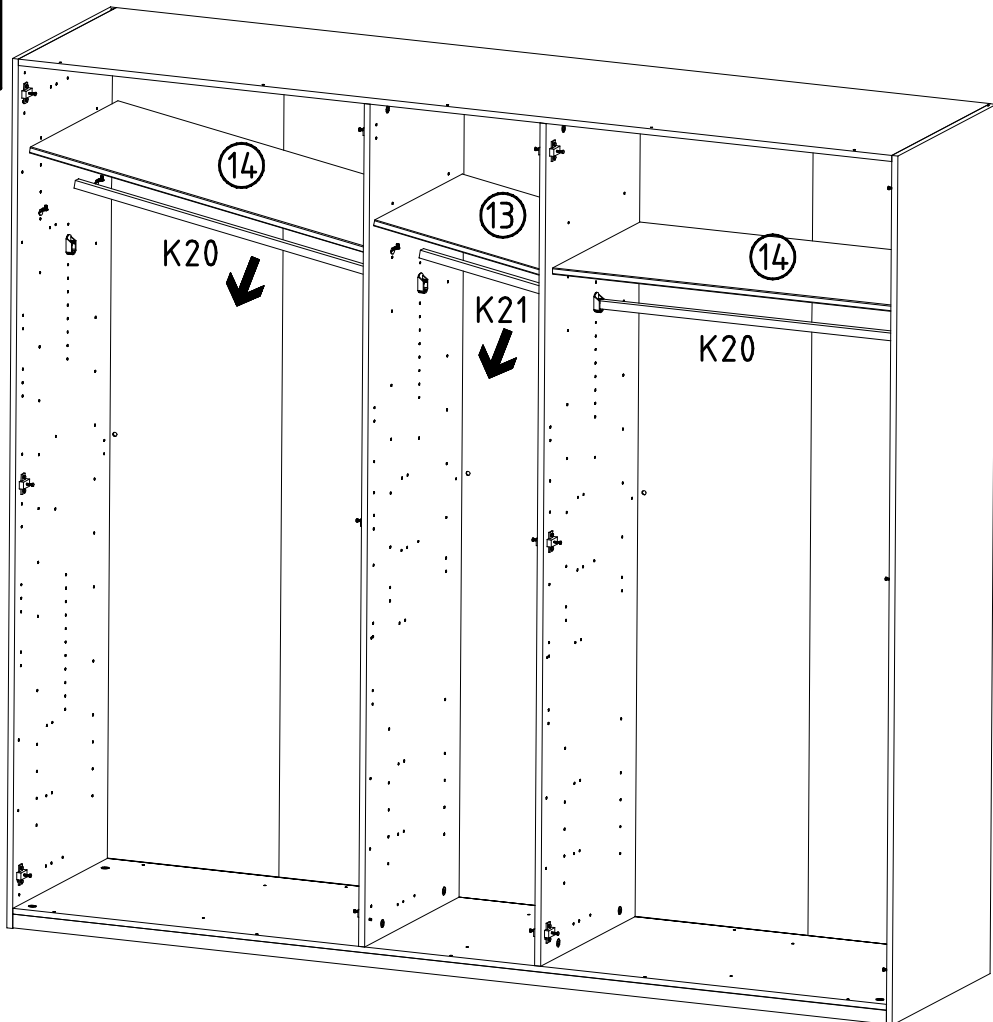




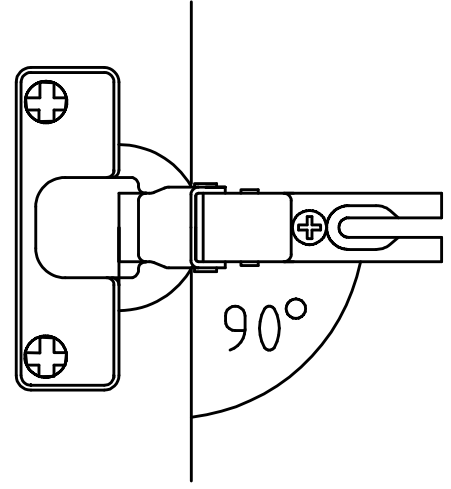
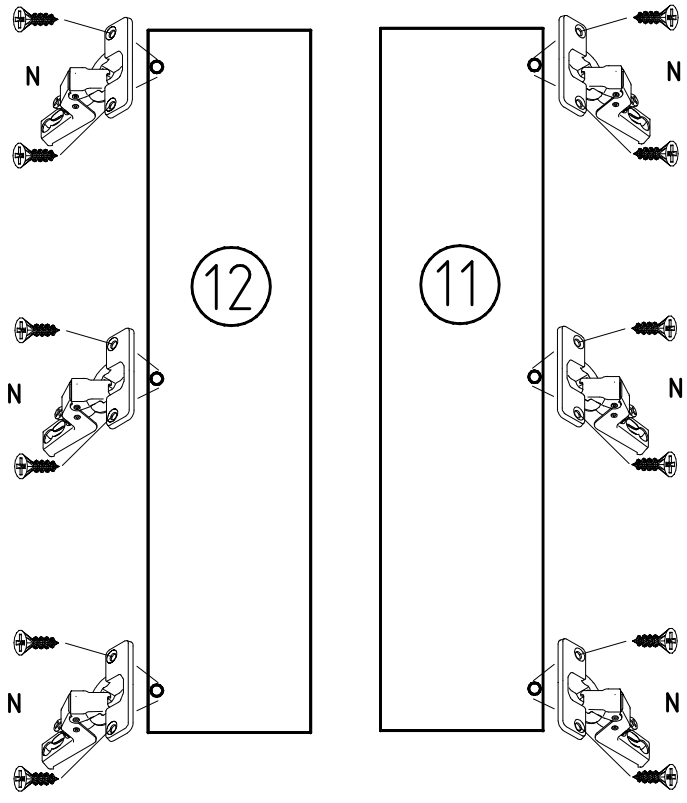
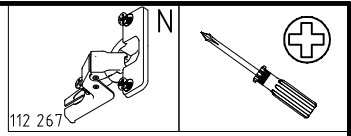
11



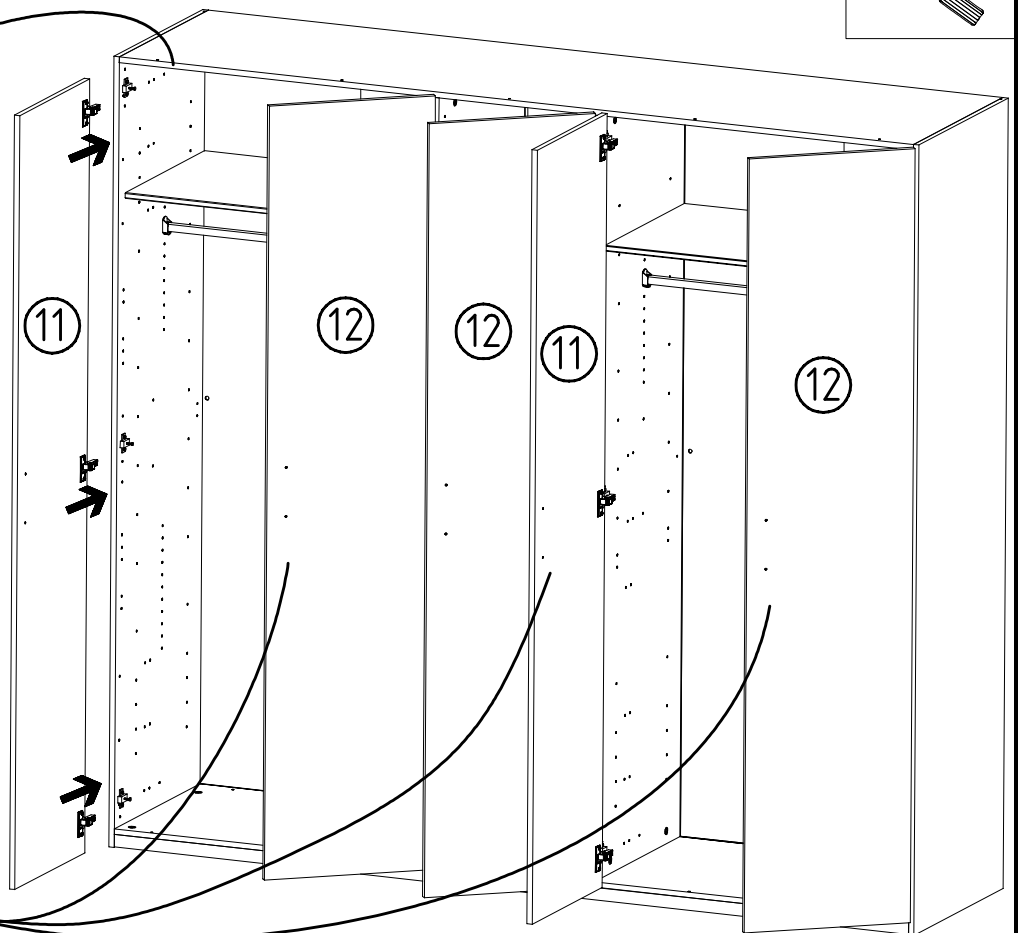
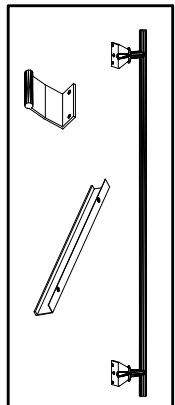
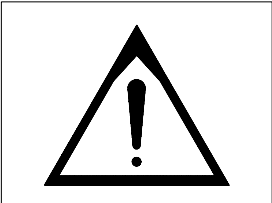
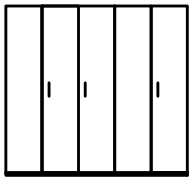
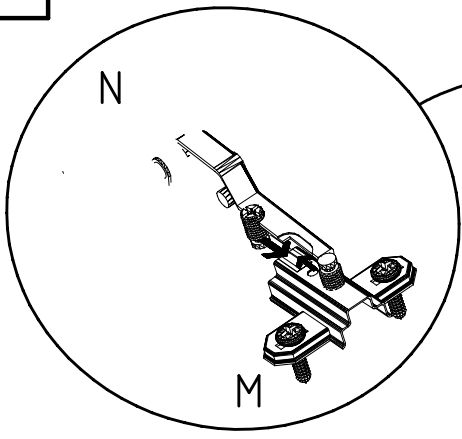
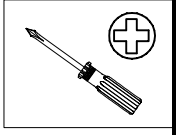
12

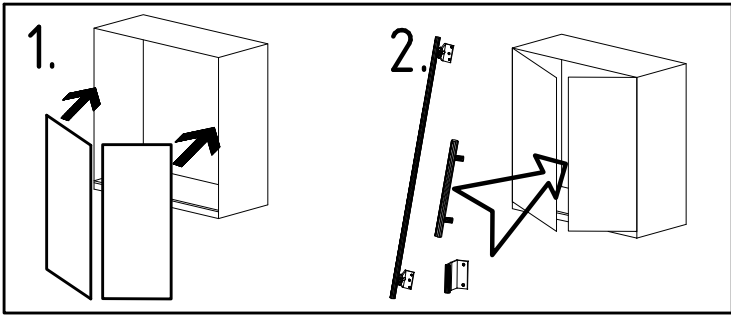
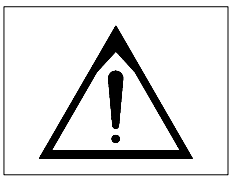


13

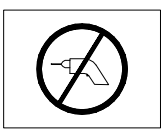
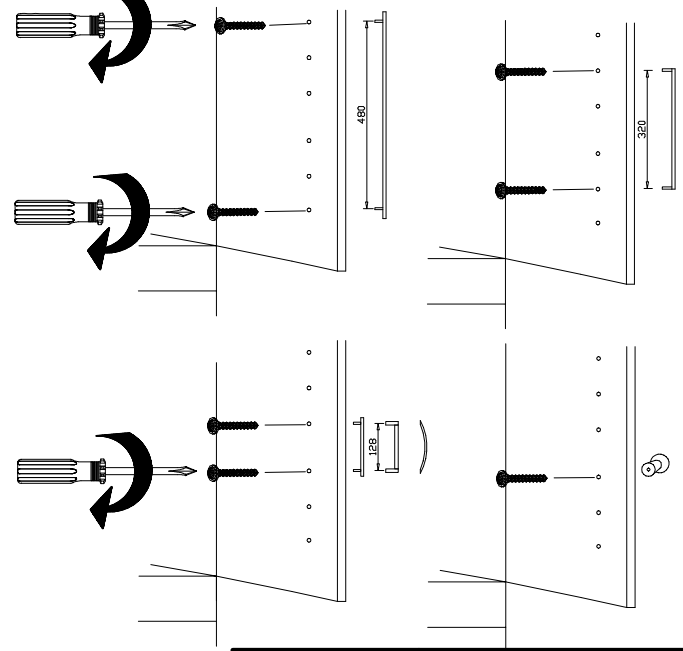
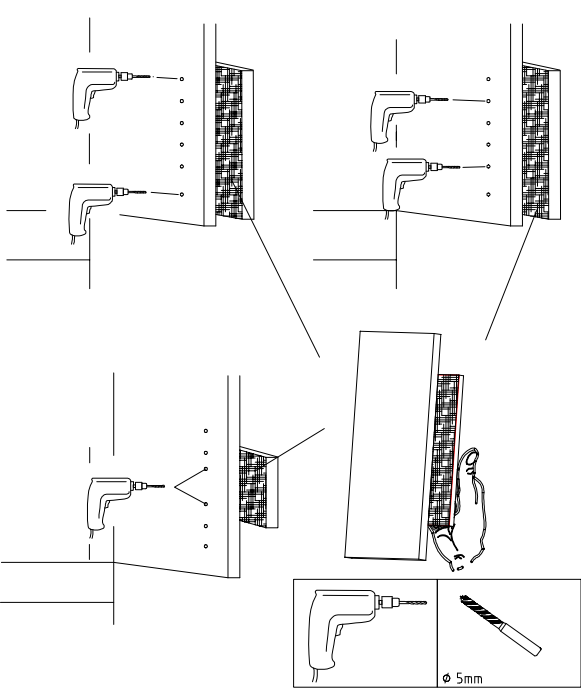
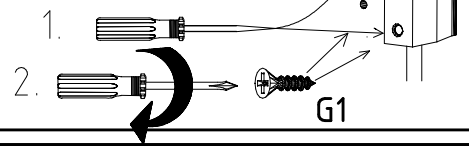
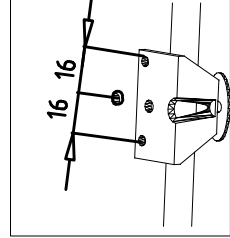
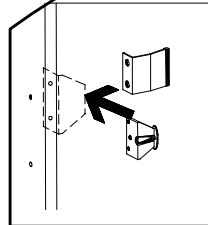
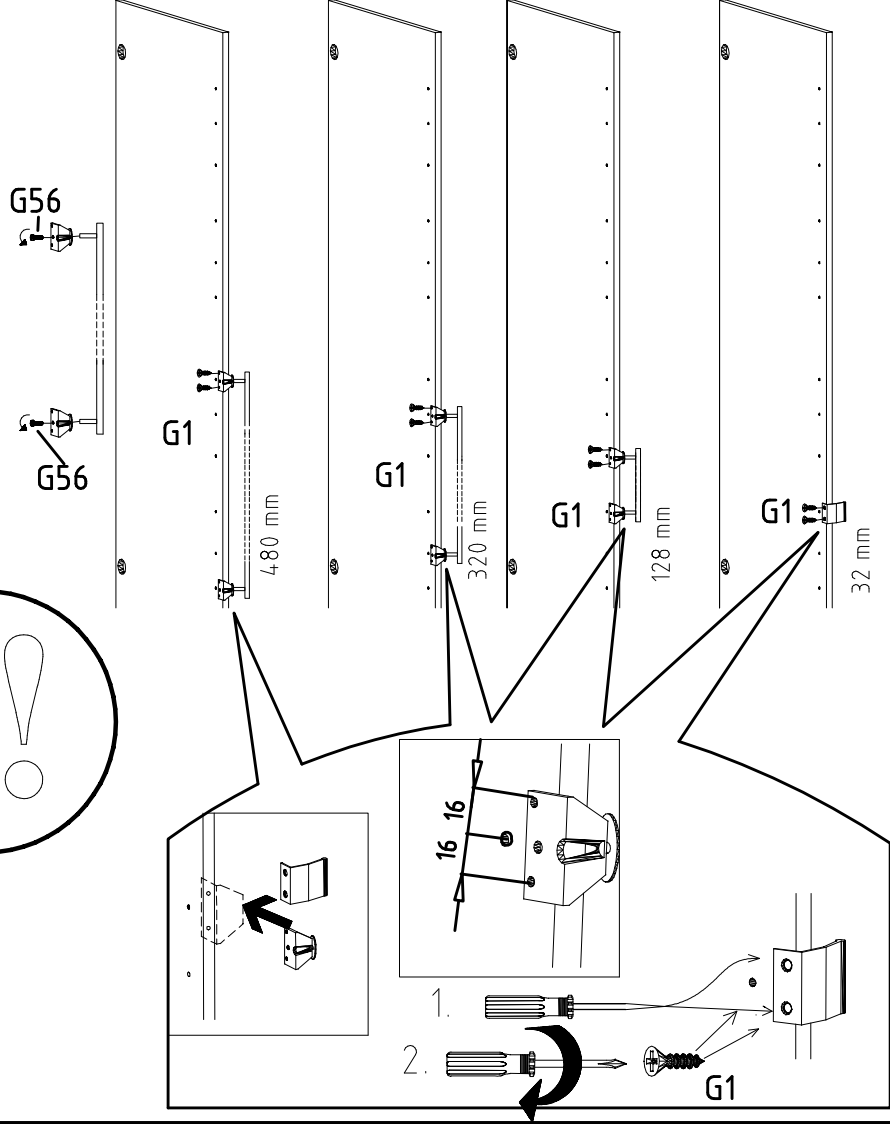
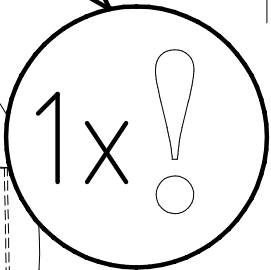
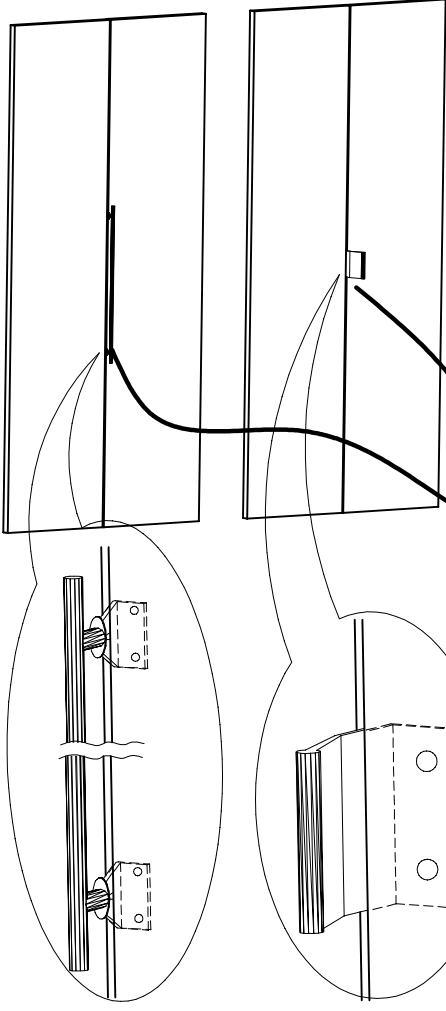


14





3,5 x 15 mm 121 370 	G1 4,0 x 12 mm 122 625
----------------------------	----------------------------------



	SP27
4 X 27mm 122620 4,0x22 122 609 	G49

